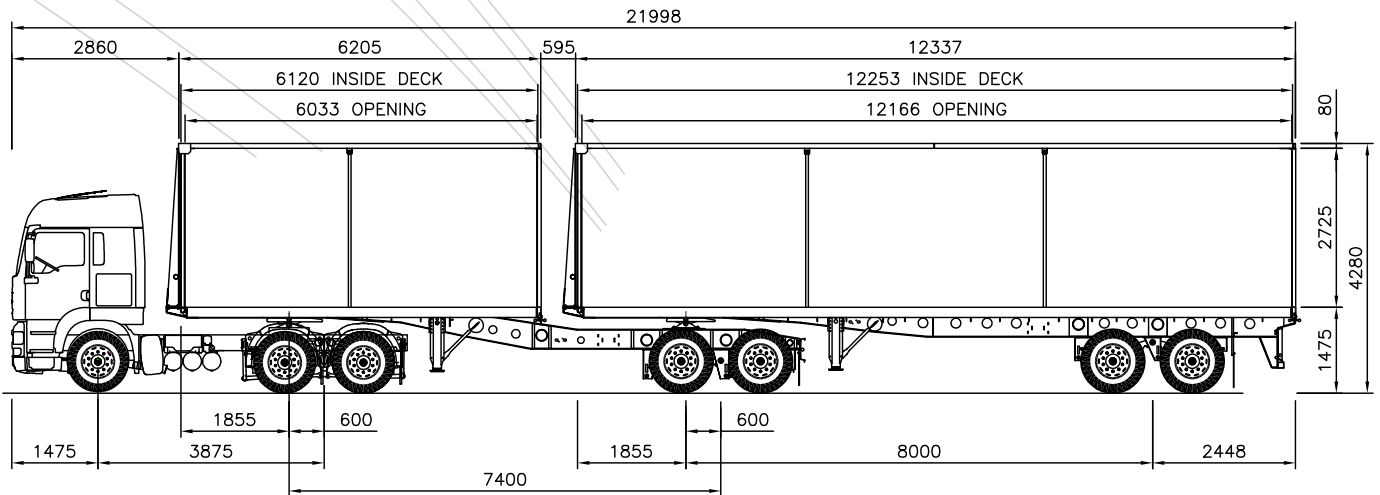




ENSURING YOUR BUSINESS IS WHERE IT SHOULD BE - ON THE ROAD

## AFRIT 6/12m Tandem/Tandem Axle Interlink Combination with Sliding Curtains



TARE	PAYLOAD
<b>10 400kg</b>	<b>36 100kg</b>

### ADDITIONAL SPECIFICATIONS

- 12R22.5 / 315/80R22.5 DUAL WHEELS
- 9.00 x 22.5 STEEL RIMS
- AO LEAFSPRING SUSPENSION
- LOAD LOCKS
- SPARE WHEEL CARRIER
- TARPULIN BOX
- PVC ROOF